



Featherweight® Luxury Vinyl with Uniclic™ Technology INSTALLATION GUIDE

PLEASE FOLLOW ALL INSTRUCTIONS TO ASSURE SATISFACTORY INSTALLATION

Feather Lodge® Featherweight® Planks are constructed with the patented Uniclic® tongue and groove technology that locks the planks together to form a tight and durable joint that limits moisture from passing through the seams. Feather Lodge® Featherweight® LVT Planks are installed as a floating floor, and adhering product to the substrate* is not recommended. We continuously make technological advancements that improve product performance or installation techniques and methods. To confirm you have the most recent installation instructions, please visit our website www.FeatherLodge.com or contact Technical Services at 888-564-2093 ex. 1.

PRIOR TO INSTALLATION

- Featherweight® Vinyl Flooring needs to be acclimated to the new environment for **48 hours**. Flooring should be Acclimated in the room where it is to be installed at a constant temperature between **65° and 85°F** and the humidity below 65% for 48 hours or more, prior to, during, and after pre-installation testing and installation. Open cartons, but DO NOT remove planks when acclimating.

PLEASE NOTE: Concrete floor can be up to 10 degrees colder than ambient room temperature.

DO NOT store Featherweight® cartons directly on concrete, allow for air circulation.

- Always store cartons horizontally on a smooth, solid, flat, clean surface.
- DO NOT stack higher than ten cartons & DO NOT stack anything on uninstalled vinyl planks.
- Always carefully check flooring material for any defects. Contact your supplier immediately if any defect is found.*
- Open several cartons and mix planks together to ensure a random pattern upon installation.
- Be sure to install all base and island kitchen cabinets prior to installing Featherweight® Vinyl planks. DO NOT install base cabinets or island cabinets on top of the floor.
- Remove all furniture and appliances from room, as well as existing quarter round, baseboard molding or cove base.
- Undercut doorway moldings to the thickness of the flooring.
- Be sure to read through all of the installation instructions and warranty information before starting the installation.

PRO TIP: Purchase an additional 5% of flooring to allow for cuts and an additional 10% to 15% if installing diagonally.

WARRANTY NOTE: Please examine flooring for color and quality BEFORE installation. Our flooring is manufactured in accordance with industry standards. If material is of unsatisfactory quality please contact the seller immediately. Undesirable pieces should not be installed. Flooring warranties DO NOT cover material with visible defects once they are installed. The original purchaser of the flooring are responsible for final inspection of flooring quality and grade. Any excess flooring should be stored in a flat climate controlled area for repairs in the event of future damage.

ASBESTOS WARNING

WARNING! DO NOT sand, dry sweep, dry scrape, drill, saw, bead blast or mechanically chip or pulverize any existing resilient flooring, backing, lining felt, or asphaltic "cutback" adhesive. These products may contain asbestos fibers or crystalline silica. Avoid creating dust. Inhalation of such dust is a cancer and respiratory tract hazard. Smoking by individuals exposed to asbestos fibers greatly increases the risk of serious bodily harm. Unless positively certain that the existing product is a non-asbestos containing material, you must presume it contains asbestos. Regulations may require that the material be tested to determine asbestos content. See the current edition of the Resilient Floor Covering Institute (RFCI) publication "Recommended Work Practices for Removal of Resilient Floor Coverings" for detailed information and instruction on removing all resilient covering structures.

FEATHERWEIGHT® VINYL PLANKS DO NOT CONTAIN HAZARDOUS MATERIAL SUCH AS ASBESTOS OR CRYSTALLINE.

WATER PROOF DETAILS

Vinyl planks are resistant to water damage, but DO NOT prevent the transmission of moisture. Moisture should not be allowed to collect on either side of the vinyl flooring to prevent deterioration of the boards, and to prevent the growth of mold and mildew like the trapping of moisture emissions under the flooring which may contribute to an unhealthy indoor environment. Feather Lodge® does not warranty nor is responsible for damage to floor covering due to moisture related issues.

THINKING ABOUT HIRING AN INSTALLER?

Always ask your retailer for a professional installation guide or recommendations. Ask if they have professional installers on hand or ones they know and trust, whom are available. In most cases the retailer can help you with finding a professional installer and will handle all the details of arranging the installation. Be sure to ask about additional fees for things like old flooring removal and disposal, and moving furniture pieces.

DIY?

Be sure to read through all of the installation instructions carefully and thoroughly. Be sure to have all of the suggested installation tools and installation manual on hand during the installation. Installation Tools on (Page 5).

RECOMMENDED USE

Any uneven areas greater than 3/16" in 10" or 1/8" in 6 feet should be leveled with a Portland based cementitious patching/ leveling compound.

Interior use only in climate controlled environment, not to be exposed to direct sunlight.

DO NOT use foam underlayment under Featherweight® Vinyl Flooring

DO NOT install planks over floors that are sloped for drainage.

Residential and light commercial applications

Not for use on ramps

FEATHER LODGE SUBFLOOR INFORMATION

- All substrates must be permanently dry, clean, smooth, level, free from all foreign materials such as dust, wax, glues, solvents, paints, grease, oils, and any chemical residues.
- All subfloors must be flat, dry, structurally sound, and free from movement or deflection. Correct preparation of the subfloor is a major part of a successful installation. Roughness or unevenness of the subfloor may telegraph through the new floor covering, resulting in an unsightly surface and may cause excessive wear on high spots. Subfloor must be flat – 3/16" in 10" or 1/8" in 6'.

CAUTION: Some types of nails, such as common steel nails, may cause discoloration of the vinyl floor covering. Recommendations for attaching underlayment panels are not included. Solvent based construction adhesives are known to stain vinyl floor coverings. All responsibility for discoloration problems caused by the use of the above mentioned products is not the responsibility of Feather Lodge, but rests with the installer and the underlayment panel manufacture.

- Fill and level all plywood seams and concrete cracks, construction joints, control joints, depressions, grooves or other irregularities.
- Use a latex fortified, cementitious patching compound.
- Prior to installation of floor, sweep and/or vacuum substrate to remove all dust and debris.

SUITABLE SUBSTRATES AND SURFACE MATERIALS

WOOD SUBSTRATES

- Wood floors must be double construction with a minimum thickness of 1", free from spring / deflection. Top layer of plywood shall be 1/4" minimum thickness underlayment grade plywood. Recommended underlayments include APA Underlayment Grade Plywood A-C, B-C or C-C plugged, ACCUPLY, SurePly, TECPLY, ULAY, C.S.A. (CanPly) and Proboard.
- DO NOT install material over wood subfloors that lay directly on concrete or over sleeper construction. All subfloors must be structurally sound and installed following their manufacturer's installation instructions. Local building codes may only establish minimum requirements of the flooring system and may not provide adequate rigidity and support for proper installation and performance.
- A moisture test is required using a pin-type moisture meter. The moisture content should be 13% or less.
- Joist spacing should not exceed 19". Use nail set for fasteners exposed above surface. Fill and sand gaps wider than 1/8" wide.
- If the surface of the wood subfloor is not smooth, a 1/4" underlayment panel must be installed over the subfloor, per the underlayment manufacturer's written instructions.
- Featherweight® should not be installed directly over fire-retardant treated plywood or preservative treated plywood. An additional layer of APA rated 1/4" thick underlayment is recommended as a buffer between the two.

CONCRETE SUBSTRATES

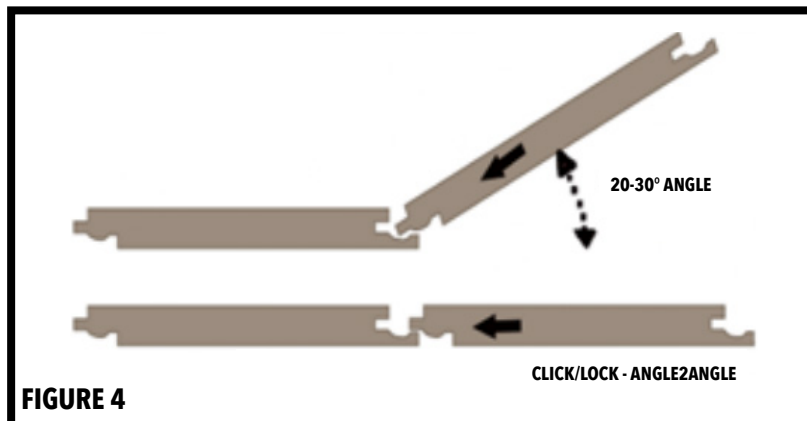
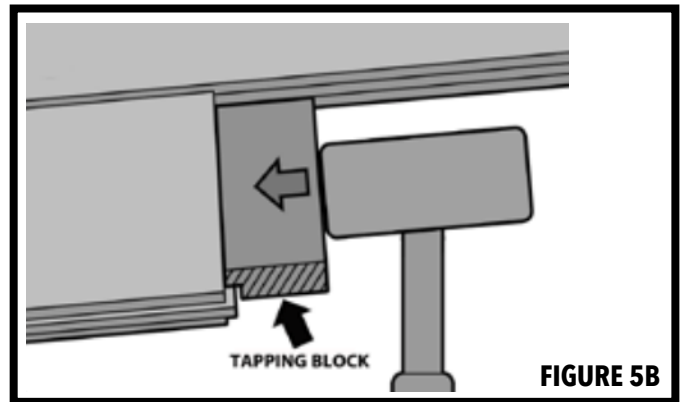
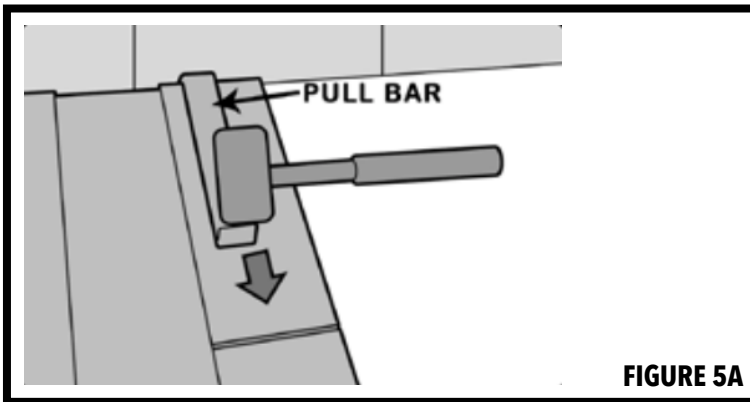
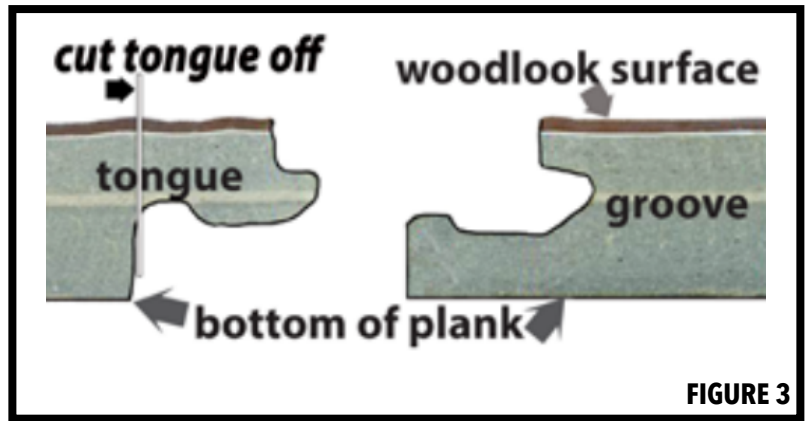
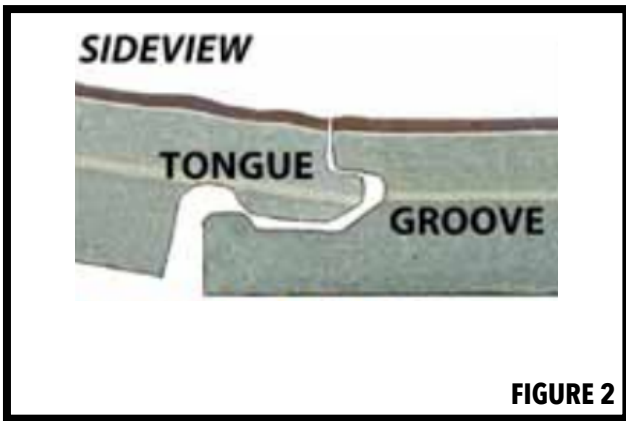
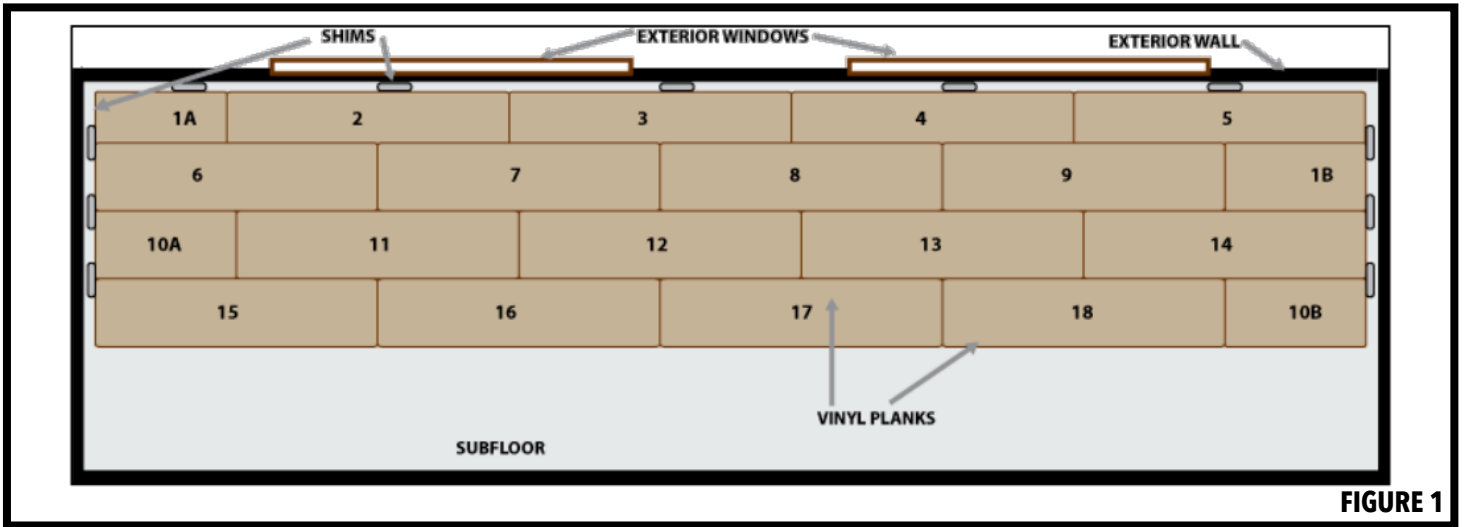
- Featherweight® may be installed over on grade, above grade, or below grade concrete subfloors.
- Concrete must be permanently dry, clean, smooth, level, free from all foreign materials such as dust, wax, glues, solvents, paints, grease, oils, and any chemical residues.
- New and existing concrete subfloors should meet the guidelines of the latest edition of ASTM F 710, "Standard Practice for Preparing Concrete Floors to Receive Resilient Flooring" available from the American Society for Testing and Materials, 100 Barr Harbor Drive, West Conshohocken, PA 19428; 610-832-9585; <http://www.astm.org>
- Concrete shall be finished and cured according to ACI and have a minimum compressive strength of 3500 psi. Installation of moisture vapor barrier is recommended prior to pouring out on or below grade slabs. A 6 mil polyurethane moisture barrier should be used with concrete subfloors. Moisture vapor transmission shall not exceed 8 lbs./1000 sq. ft./24 hours per ASTM F-1869 (Anhydrous Calcium Chloride Test). Moisture may also be tested according to ASTM F 2170 (Standard Test Method for Determining Relative Humidity in Concrete Floor Slabs Using in situ Probes). When tested according to this method, the internal relative humidity shall not exceed 85%. Featherweight® may be installed over gypsum based underlayments.
- DO NOT install over concrete with a history of high moisture or hydrostatic conditions.
- Holes, grooves, expansion joints and other depressions must be filled with a Portland based patching and leveling product, and troweled smooth and feathered even with the surrounding surface.
- Maximum acceptable pH level of 9 or less. Refer to the Resilient Floor Covering Institute Website at: <http://rfci.com/wordpress/wp-content/uploads/2013/09/recommended-workpractices.pdf>

EXISTING FLOORS

Featherweight® may be installed over most smooth, single layer, hard surface existing flooring (resilient, tile, ceramic, marble, and terrazzo). Existing flooring must be moisture free and in good condition. Any residue (i.e. old glue) on subfloor must be completely removed. Check flooring for any curled areas around the perimeter or at seams and repair if necessary. Level by using a good quality cementitious based embossing leveler to smooth and fill the existing floor or grout lines. Tile may require several skim coats to achieve a flat surface.

RADIANT HEAT

Featherweight® can be installed over radiant heat. Radiant heat components must have a minimum of 1/2" separation from the product. This is the only type of radiant heat system that is approved. Radiant heat system must be on and operational for at least 2 weeks prior to installation to reduce residual moisture within the concrete. Three days prior to installation lower the temperature to 65 degrees, after installation gradually increase the temperature in increments of 5° F to avoid overheating. Maximum operating temperature should never exceed 85°F. Use of an in-floor temperature sensor is recommended to avoid overheating.



PLEASE NOTE

- Featherweight® VINYL FLOOR is a floating floor and should not be glued or nailed to the substrate.
- DO NOT glue the click mechanism of this floor.
- Featherweight® VINYL FLOOR is intended for indoor use only.
- As with any floating floor, installing with spans over 35 feet in length or 25 feet in width without use of a transition piece will void the warranty.

INSTALLATION TOOLS

1. Utility Knife
2. Tape Measure
3. T-Square
4. 1/4" Spacers
5. Chalk Line Reel
6. Safety Glasses
7. Tapping Block
8. Rubber Mallet
9. Pull Bar

GETTING STARTED

1. Determine which direction the planks will be installed. To make the room appear larger or if installing in very small rooms or hallways, it is preferable to lay the planks parallel to the longest room dimension.
2. Carefully measure the room to determine squareness and to determine the width of the last row of planks. If the width of the last row of planks is less than 2"(50mm), excluding the tongue, the width of first row of planks will have to be cut accordingly.
3. A minimum 1/4" expansion space is required around the perimeter of the room and all vertical objects (i.e. pipes and fixtures).
4. Inspect all planks for visible defects and damage before and during installation. DO NOT install damaged planks. Feather Lodge® will not accept responsibility for claims on flooring installed with obvious defects. During installation, inspect the groove area and remove any debris that may prevent proper assembly of planks.

INSTALLATION STEPS

1. Begin installation parallel to the long dimension of the room, preferably parallel with the light sources (windows & doors). (Refer to Figure 1). Snap a chalk line at the starting point to maintain alignment. Use planks mixed in from four or five cartons to achieve the ideal random pattern.
2. Install planks from the left side of the starting wall and work to the right side. If starting with a full width plank, the tongue must be removed (Refer to Figure 3). To trim planks, use a utility knife and a straight edge. Score the top surface of the plank, flex it downward to separate pieces. The tongue side of the plank always faces the starting wall. Place 5/16"(8.2mm) spacers between the short and long side of the planks and the wall. Always position one spacer between the wall and where the planks join.
3. Be sure to maintain a 1/4" expansion space around all walls and vertical objects and maintain a random appearance by cycling patterns of boards. Offset end joints a minimum of 8"(20.3cm).
4. The end joints of the planks in the first row are assembled by inserting the tongue side into the groove side of the previous plank at a low 20-30°angle. Gradually lower the plank down flat, applying pressure inward and downward clicking and locking the end of the new plank into the end of the existing plank until the end joint closes, insuring that the planks are perfectly aligned. Install remaining full planks in the first row.
5. The last plank in the first row may need to be cut. Measure the distance between the wall and the surface of the last full plank. Subtract 5/16" (8.2mm) from this measurement to allow for the spacer. If this measurement is less than 8" (20.3cm) in length, trim first plank and last plank, each no less than 8". Planks can be cut using the "score and snap" method, utilizing a sharp utility knife and straight edge or carpenter's square. Score the surface of the plank with the utility knife, and then *Snap* the plank at the score line.

6. The remaining plank-cutting cut off from the last plank in the first row may serve as the first plank in the second row provided it is at least 8"(20.3cm) long. Always stagger end joints from row to row a minimum of 8" (20.3cm) long. (Refer to Figure 1)
7. When, installing the first plank of the second row, remember to place a 1/4" spacer between the wall and the short side of the plank. Insert the long side tongue into the groove side of the plank in first row at a low angle and lower flat to the substrate. Shift the plank down toward the end seam and slightly lift the previous plank in order to engage the end joints together.
8. Install the second plank of the second row. Position the long side of the second plank with the tongue side of the existing plank overlapping the groove of the planks in the previous row approximately 1/8". Then, angle the end joint into the previous plank. Angle the plank down and gently push in until the plank locks into the previous row (Refer to Figure 2). Continue installing remaining planks in second row.

IT IS VERY IMPORTANT TO MAKE SURE THAT THE FIRST TWO ROWS ARE STRAIGHT AND SQUARE, OR THIS WILL ADVERSELY EFFECT THE ENTIRE INSTALLATION. THE FIRST TWO ROWS ARE THE "INFRASTRUCTURE" FOR THE REST OF THE INSTALLATION. NOTE TO CHECK STRAIGHTNESS AND SQUARENESS REGULARLY. (Refer to Figure 1)

9. Continue working from left to right, row by row, making sure to install the planks with the long side seam first, then slide back to drop the end joint into place. Tap the ends to ensure a tight fit.
10. If the boards are only a little tight, first try tapping with your hands, as the flexibility and convenient connection of the Uniclic™ become evident in tight places. If need be use the tapping block and rubber mallet on the end joints to ensure a tight fit. DO NOT tap using only the rubber mallet, a tapping block is an important buffer between the plank and mallet to prevent damages to the planks.
PLEASE NOTE: If you cannot find a tapping block, a scrap piece of flooring plank can work.
11. Featherweight® LVT Planks are unique in that in difficult areas they can be installed with a pull bar or tapping block and rubber mallet. Use of a pull bar and rubber mallet to lock the joints together in the last row may be necessary. Always use a pull bar on the cut edge of the plank. Factory edges can be damaged if the pull bar is used directly against them (Refer to Figure 5A and 5B).
12. Possible Areas of Difficulty: the last row, and when fitting around door trim.
13. When fitting around door trim it will be necessary to slide the plank under the trim. This can be accomplished easily by starting the row on the side of the room with the door trim and then sliding the plank into place once it is attached. The row can be completed by inserting the tongue in to the groove or the groove into the tongue depending on the direction. A special Uniclic™ approved tapping block and pull-bar can also be used to lock the joints together while the planks are in a flat position. Use a series of light taps until the joint is gradually locked together.
(Refer to Figure 5A and 5B)

FINISHING THE INSTALLATION

- After all planks have been installed, remove spacers from perimeter of room.
- Protect all exposed edges of the flooring by installing wall molding and/or transition strips.
- DO NOT fasten any moldings through the flooring.
- Pre-drill and install quarter round or baseboard molding. Molding must be sufficient size to cover the 1/4" space. DO NOT fasten moldings through the flooring. Fasten into the wall.
- If not covering exposed edges with trim, fill the gap with a high quality silicone caulking.
- Use plywood to cover the top of the flooring when moving heavy furniture or appliances into position.
- Use proper floor protectors under the legs of furniture.
- Post installation temperature MUST be maintained between 65° and 85°F. Relative humidity must be maintained between 40% and 70%.
- Protect the finished installed flooring from exposure to direct sunlight or tiles may expand or shift.
- For wet areas such as bathrooms, make sure to caulk the perimeter of the floor with a high quality silicone caulk.

BATHROOMS

When the LVT planks are installed in a bathroom, the flooring can be laid under the toilet only if the floor is separated from adjacent rooms with a doorway threshold. Otherwise the flooring should be installed around the toilet leaving a 1/8" expansion space. Use a high quality silicone caulking to fill the expansion space at the tub, shower and all wet areas to prevent surface water seepage under the floor.

STAIRS

Featherweight® LVT planks can be installed fully adhered over steps using a high quality pressure sensitive luxury vinyl tile adhesive such as Franklin® 687. Follow the instructions on the adhesive for trowel size and drying time. Always use a flush stair nose molding to finish each step at the nose.

FLOOR CARE

- Frequently moved furniture should be equipped with felt pads to avoid scratching the floor. Heavy furniture and appliances should be equipped with non staining large surface floor protectors. Furniture with castors or wheels must be easy swiveling, large surface non-staining and suitable for resilient floors. DO NOT use ball type castors as they can damage the floor.
- Avoid exposure to long periods of direct sunlight. Close blinds or drapes during peak sunlight hours
- Use walk off mats at entrances to prevent dirt and grit from being tracked on to the floor.
- Sweep or vacuum the floor regularly to remove loose dirt. Avoid using a vacuum with a beater bar.
- Clean up spills immediately.
- Damp mop as needed using clean water and a diluted vinyl floor cleaner. We recommend the BONATM line of products.
- DO NOT use harsh cleaners or chemicals on the floor. DO NOT use vinegar based products.

PLANK REPLACEMENT

In cases of severe damage, tiles may be replaced by cutting the bad piece out using a utility knife. To insert a replacement tile, cut the tongue off the new piece and use a seam sealer on only the side of the tile, adhering the new tile into place.

Featherweight® and Feather Lodge® are registered trademarks of TP Brands International LLC.

Featherweight® planks are luxury vinyl click tile planks, part of the Feather Lodge® family of responsibly built building products.

Unilin™ and Uniclic™ are names licensed under Unilin Flooring, LLC.



FOR FURTHER INFORMATION ON OUR PRODUCTS VISIT WWW.FEATHERLODGE.COM